

Wing Screws

Stainless Steel, Hygienic Design

SPECIFICATION

Wing Screw

Stainless steel precision casting AISI 316

- Matte finish ($R_a < 0.8 \mu\text{m}$) **MT**
- Polished finish ($R_a < 0.8 \mu\text{m}$) **PL**

Sealing ring

- H-NBR **H**
 - Operating temperature $-25\text{ }^\circ\text{C}$ to $+150\text{ }^\circ\text{C}$
- EPDM **E**
 - Operating temperature $-40\text{ }^\circ\text{C}$ to $+120\text{ }^\circ\text{C}$
- FKM **F**
 - Operating temperature $-5\text{ }^\circ\text{C}$ to $+200\text{ }^\circ\text{C}$
- FDA compliant material
- Blue
- Hardness 85 ± 5 Shore A

INFORMATION

Wing screws GN 8351 comply with the DGUV testing principles and are intended for use in hygienic areas. The versions with PL finish, as well as with sealing ring H and E are additionally certified according to the guidelines of the EHEDG. The sealed mounting surface enables mounting without dead spaces; the impervious geometry in combination with the high quality finish prevents the accumulation of dirt and facilitates cleaning.

Wing screws clamp and fasten parts easily without tools. The ergonomic shape allows for high tightening forces.

The wing screws can also be used in particularly aggressive environments thanks to the material used.

ACCESSORY

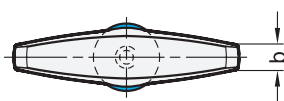
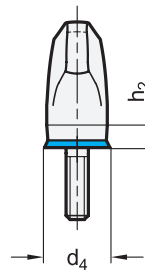
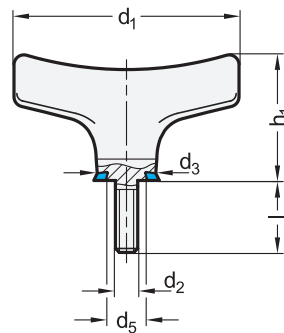
- GN 7600 Sealing Rings (see page)

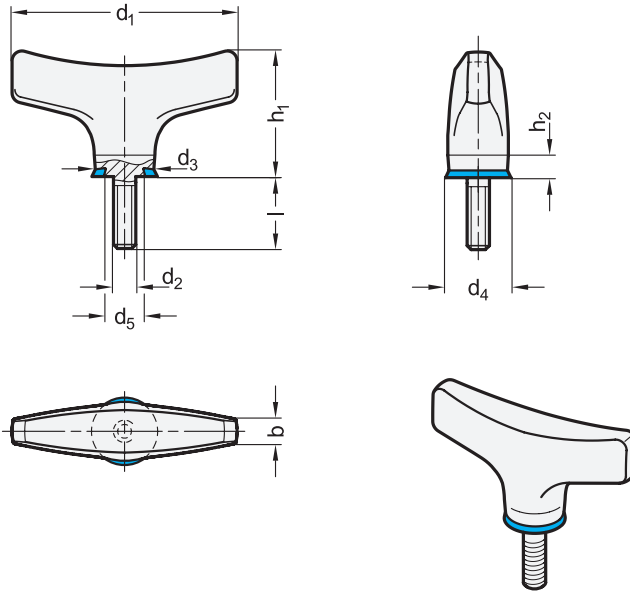
TECHNICAL INFORMATION

- Plastic Characteristics (see page A2)
- Stainless Steel Characteristics (see page A26)



NV 23193





* Complete with
H E F

GN 8351-MT

STAINLESS STEEL

Description	d1	d2	Length l	b	d3	d4	d5	h1	h2 ≈	⚖
GN 8351-40-M4-8-MT-*	40	M 4	8	4	11	11.8	7	22	4	30
GN 8351-40-M4-12-MT-*	40	M 4	12	4	11	11.8	7	22	4	31
GN 8351-40-M4-16-MT-*	40	M 4	16	4	11	11.8	7	22	4	32
GN 8351-50-M5-12-MT-*	50	M 5	12	5	13	13.8	9	28	5	57
GN 8351-50-M5-16-MT-*	50	M 5	16	5	13	13.8	9	28	5	58
GN 8351-50-M5-20-MT-*	50	M 5	20	5	13	13.8	9	28	5	59
GN 8351-63-M6-16-MT-*	63	M 6	16	7	16	16.8	12	35	6	106
GN 8351-63-M6-20-MT-*	63	M 6	20	7	16	16.8	12	35	6	107
GN 8351-63-M6-25-MT-*	63	M 6	25	7	16	16.8	12	35	6	108

GN 8351-PL

STAINLESS STEEL

Description	d1	d2	Length l	b	d3	d4	d5	h1	h2 ≈	⚖
GN 8351-40-M4-8-PL-*	40	M 4	8	4	11	11.8	7	22	4	30
GN 8351-40-M4-12-PL-*	40	M 4	12	4	11	11.8	7	22	4	31
GN 8351-40-M4-16-PL-*	40	M 4	16	4	11	11.8	7	22	4	32
GN 8351-50-M5-12-PL-*	50	M 5	12	5	13	13.8	9	28	5	57
GN 8351-50-M5-16-PL-*	50	M 5	16	5	13	13.8	9	28	5	58
GN 8351-50-M5-20-PL-*	50	M 5	20	5	13	13.8	9	28	5	59
GN 8351-63-M6-16-PL-*	63	M 6	16	7	16	16.8	12	35	6	106
GN 8351-63-M6-20-PL-*	63	M 6	20	7	16	16.8	12	35	6	107
GN 8351-63-M6-25-PL-*	63	M 6	25	7	16	16.8	12	35	6	108

Weight Material H

